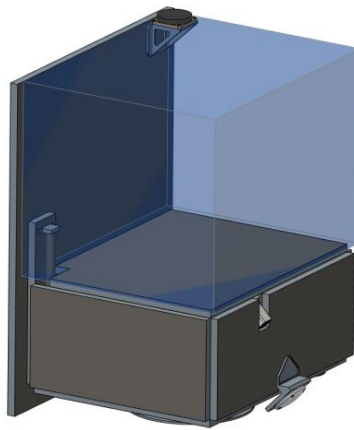


System Requirements Document

InnoSat



Doc. Reference: IS-OSE-RS-0001

Project Abbreviation: IS

Issue: 2C

Issue Date: 2016-02-02

| Action | Name | Function | Date |
|---------------------|----------------|------------------------|------------|
| Author: | Niclas Larsson | Project Manager | 2016-02-02 |
| Reviewed by: | Robin Lilja | Systems Engineer | 2016-02-02 |
| Approved by: | Nils Pokrupa | Head of S/C Department | 2016-02-02 |

OHB Sweden owns the copyright of this document which is supplied in confidence and which shall not be used for any purpose other than that for which it is supplied.

OHB-Sweden AB
SE-164 40 KISTA
Sweden
Tel: +46-8-121-40-100
Fax: +46-8-751-64-20
www.ohb-sweden.se

This document is approved and controlled in the OHB Sweden Document Management System. The approval process is in accordance with OHB Sweden CADM Plan.
Document Release is indicated by the Release Date on the front page.